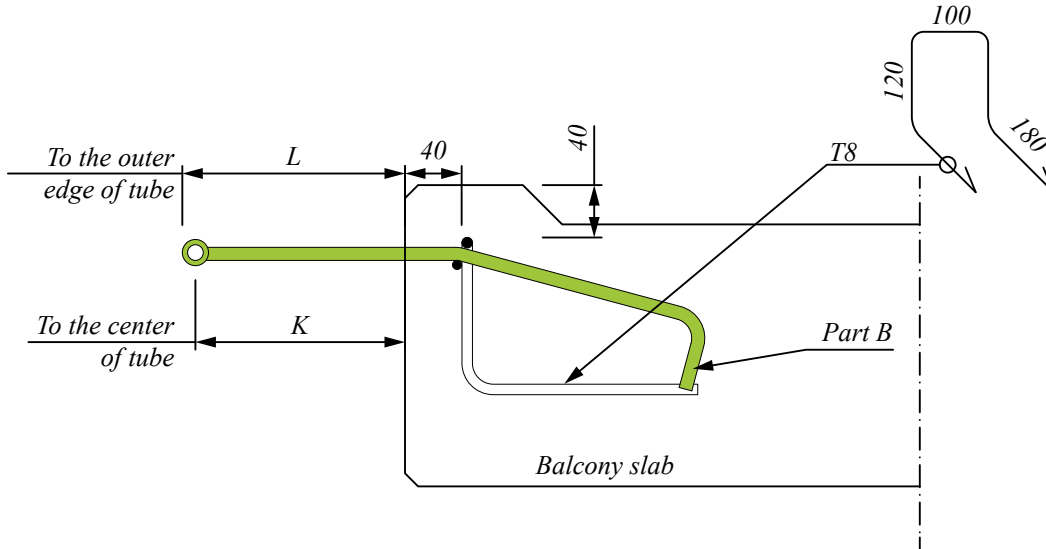


## Installation of PS Balcony Slab Connector

### INSTALLATION OF THE PRODUCT – PRECAST FACTORY

PS Balcony Slab Connector is installed on the formwork with the hooks pointing to the bottom surface of the slab. The bent part, Part B, of the Balcony Slab Connector is installed into the balcony slab before casting according to Figures 10, 11 and 12.



PS Type	K	L
	[mm]	[mm]
PS 110	160	170
PS 170	160	170
PS 200	190	200
PS 230	220	230

Figure 10. Positioning of Part B.

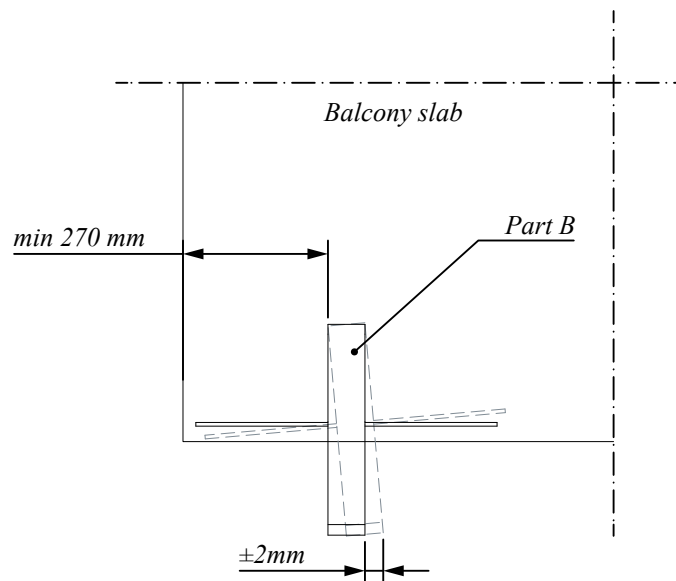


Figure 11. Positioning instructions.



Figure 12. Installation of the PS Balcony Slab Connector Part B to wooden formwork.

**Note:** In many cases, slabs are casted upside down and the top surface of the element is on the bottom of the mold.

**Note:** Gaps between the formwork and PS Part B should be filled with foam to prevent concrete leakage.

INSTALLATION OF THE PRODUCT – CONSTRUCTION SITE

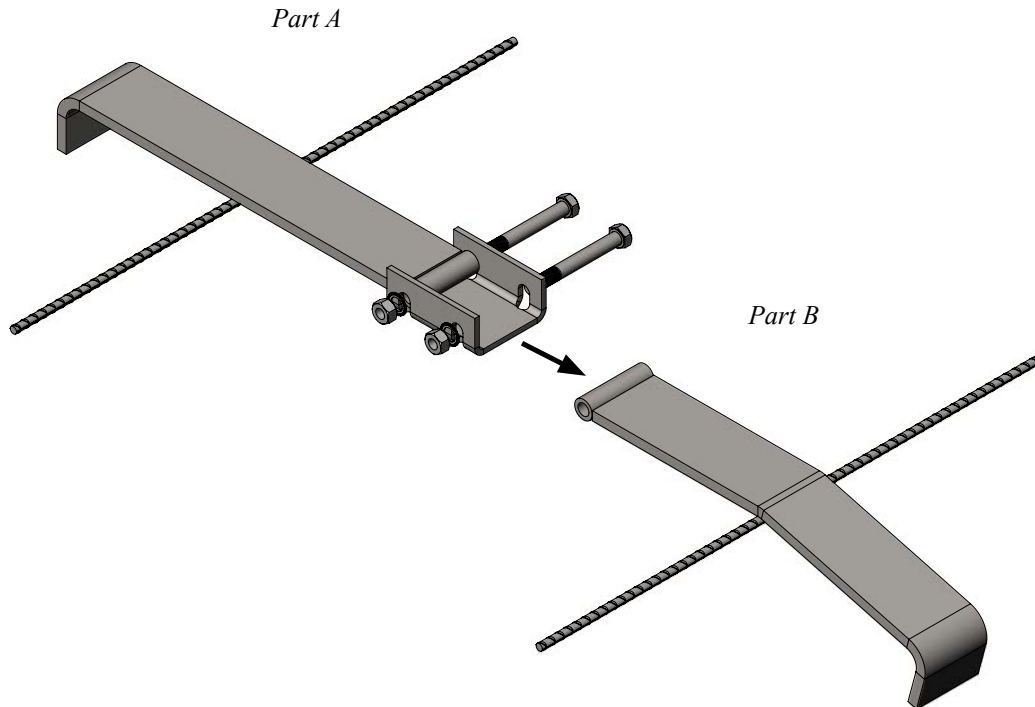


Figure 13. Assembly.

1. If not in place as delivered on site, attach Part A and the Hinge part with bolts to Part B on the balcony slab.
2. Create recesses in the floor slab if not in place as delivered.
3. Install the balcony slab with the free end (Part A) of the Balcony Slab Connector into the recess.
4. Check that the nuts are tightened before casting.
5. Secure the needed fixing to the frame structure and ensure that possible joint reinforcement is in place.
6. Check also that the formwork is done according to the assembly details and plans.
7. Pour the concrete into the formwork and fill the recess between floor slab and wall panel. After the concrete reaches the required strength, remove the formwork.
8. Fill the recesses in the outer panel and insulation layer according to the plan with thermal insulation (see Figure 14).
9. Gap between balcony slab and wall element should be secured after installation by non-flammable material (e.g. mineral wool), PE foam rod with elastic sealant (see Figure 14).
10. Check that the joint is covered with sheet metal to protect it from water.

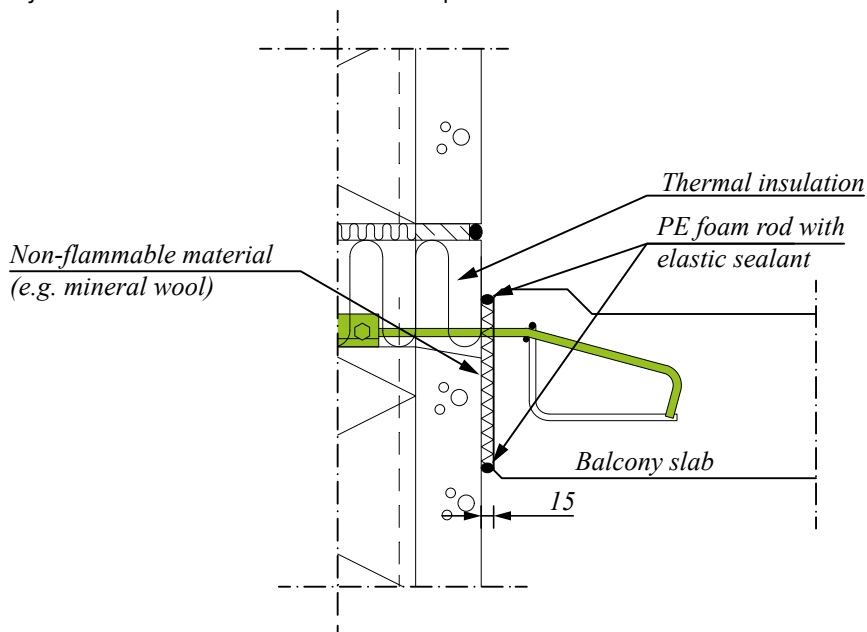


Figure 14. Joint filling.

PS carries horizontal loads from the precast slab into the base structure after the joint has reached the design strength.



Figure 15. Top view of joint before casting.



Figure 16. Balcony slab with PS Part B.