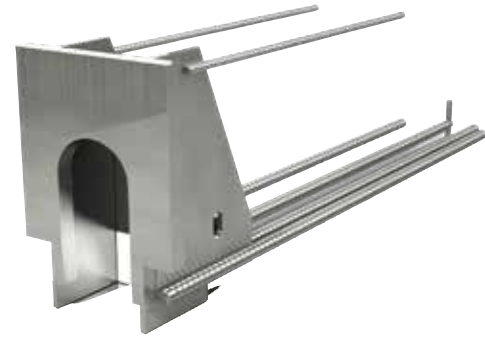


# PC<sup>®</sup> Beam Shoe

## Precast Concrete Beam Support



### Benefits

- No welding needed
- Easy and fast beam installation
- Fits into low beams and slabs
- Hidden and aesthetic connection
- Fireproof
- Large capacity
- Saves space

