



KONAT™ Consoles



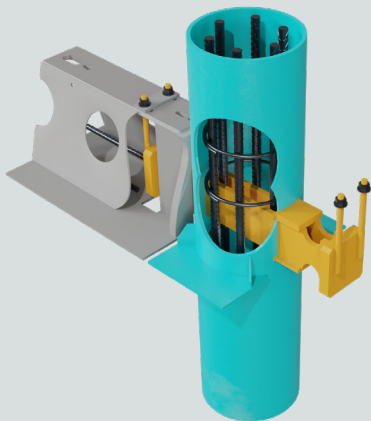
A faster, safer, and
more sustainable
way to design and build
open spaces

The smart way to connect ATLANT® and DELTABEAM®

KONAT™ BENEFITS

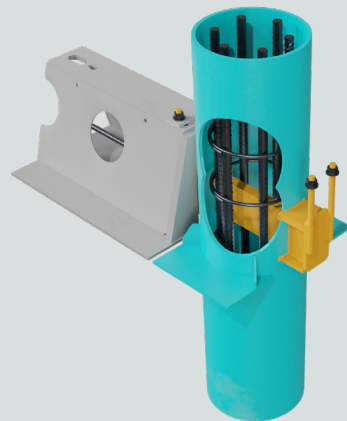
- ▶ Easy, fast, and safe installation of ATLANT® and DELTABEAM®.
- ▶ A complete solution provided by one supplier (design, manufacturing, delivery).
- ▶ Compatible with precast, cast-in-situ, hybrid and other common slabs systems.
- ▶ Robustness requirements according to EN 1991-1-7, fulfilled by patented lock type joint solution.
- ▶ Eurocode based design and superior technical support provided by Peikko specialists.
- ▶ Certified production in state-of-the-art factories.

The standard sizes and geometrical simplicity of KONAT™ consoles enables a faster, safer, and more sustainable way to design and build. KONAT™ consoles are designed for joints of multistory ATLANT® composite columns, which is a beneficial option when seeking construction efficiency and speed, or when column loading is extreme. With KONAT™ you can effortlessly connect all DELTABEAM® and ATLANT® sizes, on paper and on site.



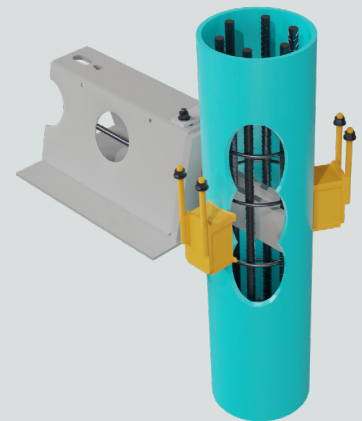
KONAT™ Robust

- The most capable KONAT™ console:
- Capable of handling vertical loads up to 1500 kN
 - Ductile transfer of horizontal loads in accidental situations



KONAT™

- High resistance KONAT™ console:
- Capable of handling vertical loads up to 1500 kN



KONAT™ Multi

- KONAT™ console for optimization:
- Capable of handling vertical loads up to 700 kN
 - Enables connectivity for beams in multiple directions



The easy installation of the light weight DELTABEAM® to the consoles improves construction speed and reduces costs.

The pre-selection of KONAT™ consoles is as simple as the table below.

Vertical resistance classes	3	5	7	10*	15*
-----------------------------	---	---	---	-----	-----

The load class represents the resistance in kN to vertical loads. I.e., load level 5 means 500 kN.

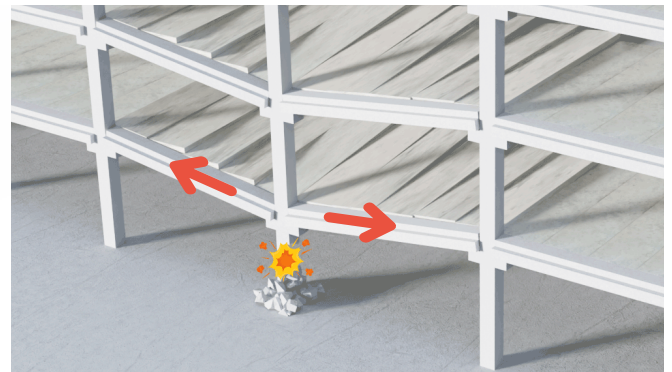
KONAT™ Robust transfers horizontal loads according to load class in accidental situations.

* KONAT™ Multi is designed for load levels 3-7.

ROBUST BEHAVIOUR OF JOINT IN ACCIDENTAL SITUATIONS

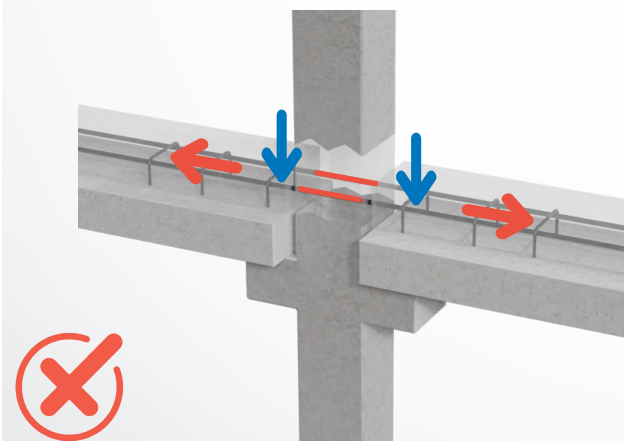


Normal exploitation situation

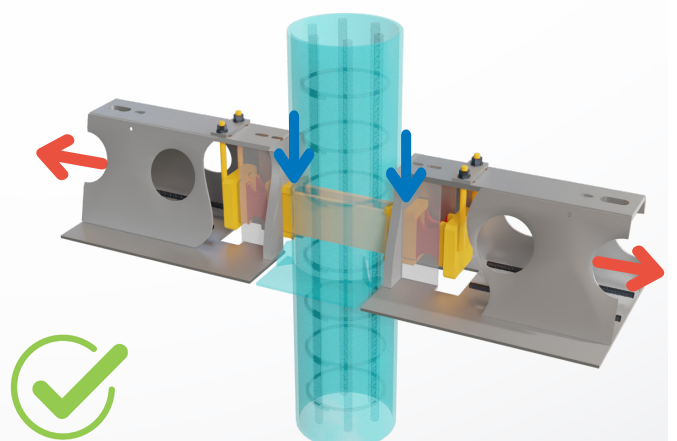


Accidental situation

KONAT™ Robust secures ductile redistribution of loads in joints during accidental situations, preventing the progressive collapse of the building, as is required by EN 1991-1-7. This mandatory robust behaviour of joints is secured without any inconvenient reinforcement anchoring to the columns, which is otherwise often required.



Inconvenient anchoring to reinforced concrete column



KONAT™ Robust designed for normal and accidental situations

 **EXPERT ADVICE LOCALLY AVAILABLE**

Take advantage of the advice and technical support from Peikko specialists during both the design and construction stages. This will help you improve the efficiency, safety, and comfortable operation of your building.

[peikko.com](https://www.peikko.com)



A faster, safer, and more sustainable way to design and build open spaces

Peikko supplies slim floor and other composite structures, as well as connection technology for precast, cast-in-situ, and hybrid applications.

Peikko's innovative solutions make your construction process more efficient.